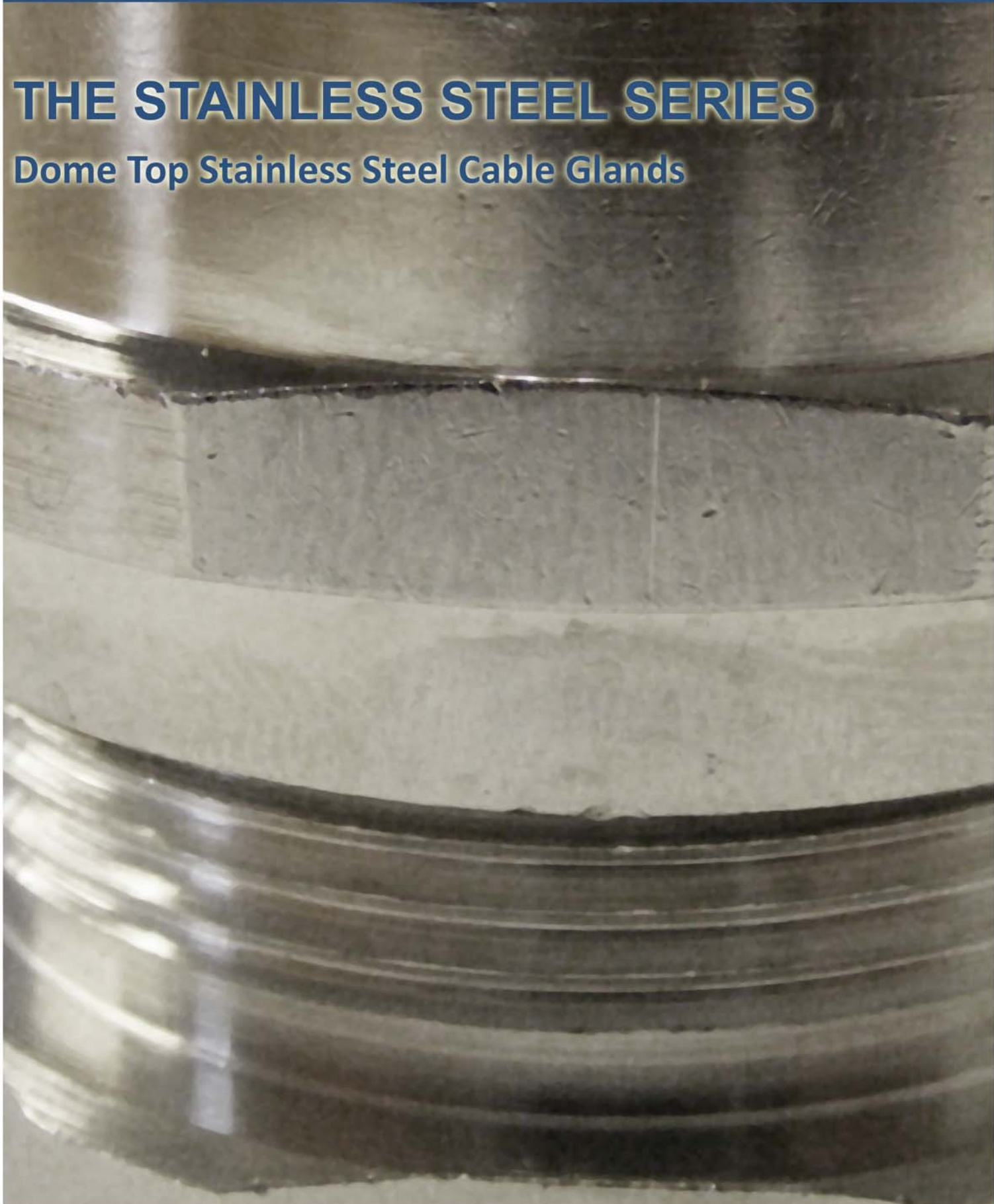


# THE STAINLESS STEEL SERIES

## Dome Top Stainless Steel Cable Glands



## bimed Stainless Steel Cable Glands

Bimed's range of stainless steel cable glands are designed to give protection in the harshest environments within the chemical and food processing industries or in any application requiring high degree of mechanical protection from aggressive fluids.

Available with caps and bodies machined from either AISI 30 (1,4305) or (1,4404) grade stainless steel and with either a Pg or Metric thread as standard (other thread styles are available to special order) this range features:

|                          |                                       |
|--------------------------|---------------------------------------|
| <b>Insert Material</b>   | Polyamide 6                           |
| <b>Seal</b>              | Chloroprene                           |
| <b>O Ring Material</b>   | NBR                                   |
| <b>Protection Class</b>  | IP68 - 5 bar (IP69K to special order) |
| <b>Temperature Range</b> | -40°C to +100°C                       |

### Contents

This short form details the range of stainless steel cable glands available from Bimed through AP Technology.

*When viewing this publication electronically, clicking one of the buttons below will take you directly to that gland series page.*

**APTechnology**

**An overview of our Interconnect line card**

**Metric**

**Our range of Metric threaded Stainless Steel cable glands**

**Pg**

**Our range of "Panzer-Gewinde" threaded Stainless Steel cable glands**

*For further information on Bimed's extensive range of cable glands or to arrange a visit by a member of our team, please do not hesitate to contact us on the number below*

Founded in 2001 AP Technology is an ISO 9001 approved specialist supplier of interconnect products including connectors, wire, cable and management products. We supply an extensive range of materials from a broad range of specialist vendors shipping to manufacturers, sub-contractors, installers & resellers worldwide, enabling us to deliver an end to end solution for your interconnect needs.

Our principle differentiator is our service, in addition to our range of standard products we offer a variety of customised products and supply chain solutions to meet your individual requirements including:

- **Contract Pricing**
- **No Minimum Order Value on Stocked Products**
- **Engineering Support**
- **Scheduled & Call Off Orders**
- **In House Cable Assembly Manufacture**
- **Proactive Inventory Management**

## Our Line Card Includes

**bimed** manufactures one of the most in-depth portfolios of metallic & plastic glands, together with an extensive range of sizes and styles including Metric, Pf, Pg & NPT threads. In addition to a broad range of ATEX, Dome-top & Spiral glands, Bimed utilise in-house product development, engineering and manufacturing to support both bespoke applications in addition to delivering market leading & innovative products such as the new G4 EMC cable gland

**TecniKabel** Has focussed its expertise in the design and manufacture of cables for use in the machine tool, robotic and Industrial automation applications, concentrating on the supply of bespoke and custom cables with a wide range of approvals including a broad range of listings and approvals for both UL & CSA.

**HUGRO**® Founded in 1960 Hugro has established itself as a manufacturer of innovative and high quality products including enclosures, specialist cable glands and cable protection products.

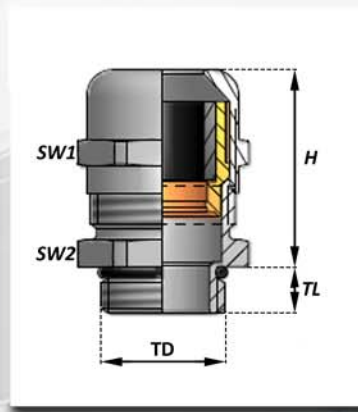
**ILME** Industriai Lombarda Materiale Elettrico, based in Milan has been manufacturing connectors since 1938. ILME offer one of the broadest ranges of multipole & electrical connectors available on the market today, Including innovative and unique products such as the CSH push fit connector and the T type plastic enclosure.

**intercontec** infinite connections Since its foundation in 1996 by Wolfgang Pfeiffer, Intercontec has grown to become the connector manufacturer of choice for the world's leading motor and encoder manufacturers due to the breadth of product choice, coupled with their passion for innovation. Manufactured in Germany, the range contains a variety of plan forms for power and signal applications, offering the most in-depth collection of M17, M23, M40 & M58 connectors available on the market today.

**JAMES MONROE WIRE & CABLE CORPORATION** is a manufacturer of insulated wire and cable products. The manufacturing capabilities range from electronic and communication products to power and control cables to highly specialized cables for Industrial, Military, Security, Submarine and Medical applications.

**Nexans** Is a worldwide leader in cable technology, it offers an extensive range of cables and cabling systems including the most comprehensive range of high-performance control, robotic, chain, encoder, motor power, bus and sensor application cables for control and process applications.

**TKD** Offers one of the most diverse ranges of cable and cable accessories in Europe with over 30,000 active designs, including cables with UL/CSA and VDE approvals for a multitude of applications in a wide variety of industries.



### Technical details

|                   |  |
|-------------------|--|
| Material Body     | Alt.1: 1,4305<br>Alt.2: 14404<br>(Please specify your type in your orders) |
| Seal              | Choloprene   |
| Protection Class  | IP 68 - 5 bar (IP69K to special order)                                     |
| Temperature Range | -40°C to 100°C   |
| Clamping Insert   | Polyamide 6  |
| O Ring            | NBR  |

## Metric Thread - Stainless steel Cable Glands

| Size                       | M12 x 1.5 | M16 x 1.5 | M20 x 1.5 | M25 x 1.5 | M32 x 1.5 | M40 x 1.5 | M50 x 1.5 | M63 x 1.5 |
|----------------------------|-----------|-----------|-----------|-----------|-----------|-----------|-----------|-----------|
| Part No.                   | BMSC-05   | BMSC-01   | BMSC-02   | BMSC-03   | BMSC-04   | BMSC-05   | BMSC-06   | BMSC-07   |
| TD (mm)                    | 12        | 16        | 20        | 25        | 32        | 40        | 50        | 63        |
| TL (mm)                    | 6         | 7         | 8         | 8         | 9         | 9         | 9         | 14        |
| Spanner 1 (mm)             | 14        | 17        | 22        | 24        | 30        | 41        | 50        | 65        |
| Spanner 2 (mm)             | 14        | 18        | 22        | 27        | 36        | 46        | 55        | 70        |
| Clamping Range (mm)        |           |           |           |           |           |           |           |           |
| Min Ø                      | 3.0       | 4.0       | 6.0       | 10.0      | 13.0      | 18.0      | 22.0      | 34.0      |
| Max Ø                      | 6.5       | 8.0       | 12.0      | 14.0      | 18.0      | 25.0      | 32.0      | 44.0      |
| Shield Diameter Range (mm) |           |           |           |           |           |           |           |           |
| Min Ø                      | 2.5       | 3.0       | 5.0       | 8.5       | 11.0      | 16.0      | 20.0      | 31.0      |

## Pg Thread - Stainless steel Cable Glands

| Size                       | Pg 7    | Pg 9    | Pg 11   | Pg 13.5 | Pg 16   | Pg 21   | Pg 29   | Pg 36   | Pg 42   | Pg 48   |
|----------------------------|---------|---------|---------|---------|---------|---------|---------|---------|---------|---------|
| Part No.                   | BSSC-01 | BSSC-02 | BSSC-03 | BSSC-04 | BSSC-05 | BSSC-06 | BSSC-07 | BSSC-08 | BSSC-09 | BSSC-10 |
| TD (mm)                    | 12.5    | 15.2    | 18.6    | 20.4    | 22.5    | 28.5    | 37      | 47      | 54      | 59.3    |
| TL (mm)                    | 6       | 6       | 6       | 6.5     | 6.5     | 7.2     | 8       | 9       | 12      | 14      |
| Spanner 1 (mm)             | 14      | 17      | 22      | 22      | 24      | 30      | 41      | 50      | 60      | 65      |
| Spanner 2 (mm)             | 14      | 17      | 22      | 22      | 24      | 30      | 41      | 50      | 60      | 65      |
| Clamping Range (mm)        |         |         |         |         |         |         |         |         |         |         |
| Min Ø                      | 3.0     | 4.0     | 5.0     | 6.0     | 10.0    | 13.0    | 18.0    | 22.0    | 30.0    | 34.0    |
| Max Ø                      | 6.5     | 8.0     | 10.0    | 12.0    | 14.0    | 18.0    | 25.0    | 32.0    | 38.0    | 44.0    |
| Shield Diameter Range (mm) |         |         |         |         |         |         |         |         |         |         |
| Min Ø                      | 2.5     | 3.0     | 4.0     | 5.0     | 8.5     | 11.0    | 16.0    | 20.0    | 28.0    | 31.0    |